

COLOR CONTACT IMAGE SENSOR

W2R216-6253

SHEC SHANDONG HUALING ELECTRONICS CO.,LTD.

Beiyang Building, Torch Road, Hi-Tech. IDZ

Weihai Shandong, China

Tel: 86-631-569-8012

Fax: 86-631-568-4988

E-mail: hechw@public.whptt.sd.cn

| REVISION | | | | | <u>Approved</u> |
|----------|-------------|-------------|------------|--------|--------------------|
| Rev | Description | Date | Approved | Drawn | |
| A | --- | Feb.10.2003 | S.Hosokawa | Z.Zhao | <i>S. Hosokawa</i> |
| | | | | | |
| | | | | | <u>Checked</u> |
| | | | | | <i>Qi Wuchang</i> |
| | | | | | |
| | | | | | <u>Drawn</u> |
| | | | | | <i>Zhaozhe</i> |
| | | | | | |

1. Description

This specification is applied to W2R216-6253 Color Contact Image Sensor module (Color CIS).

2. Scope

This W2R216-6253 is a Color CIS consists of a Rod Lens Array, double color LED light sources and an array of linear MOS image sensor.

3. Outline

| Item | Specification | Note |
|-------------------------------------|---|---------------------------------------|
| Scanning width | 216 mm | |
| Sensor element density | 200 DPI | |
| Effective number of sensor elements | 1700 elements (Full 1728 elements) | 8 th to 1707 th |
| Scanning speed | Color: 0.5 ×3 msec/line (R/G/B) Black & White: 0.5 msec/line | |
| Clock speed | 4.0 MHz | |
| Rod lens array | Single row | |
| Light source | Red $\lambda_p = 630\text{nm} \pm 15\text{nm}$ 60mA Green $\lambda_p = 520\text{nm} \pm 15\text{nm}$ 60mA Blue $\lambda_p = 465\text{nm} \pm 10\text{nm}$ 60mA | LED At least two LED vendors. |
| Power supply | +5V x 120 mA | |
| Data output | 1 analog output | Synchronous |
| Block diagram | Figure 5 | |
| Dimensions | Figure1 | |

Note 1) Clock Speed f must satisfy the following status:

$$f > (1728 + 88) / \text{tint}$$

f : Clock speed

1728 : Full sensor elements number

tint : Scanning speed

4. Image Data Output Characteristics (Ta = 25°C)

The shipment test in SHEC is done on the condition of this table.

In Color Mode

| Item | Symbol | Specification | | | Note |
|-------------------------|--------|-------------------|---------|---------|-----------------|
| | | Red | Green | Blue | |
| DC supply voltage | VDD | +5.0V | | | Detector, Logic |
| LED supply voltage | VLED | <3.0V | <5.0V | <5.0V | |
| LED supply current | ILED | 60mA | 60mA | 60mA | |
| White image target | | 0.05 ~ 0.09 OD | | | |
| Timing chart | | Figure 7 | | | |
| Dark output minimum | Vdmin | 2,000± 100 mV | | | 4.1 |
| White output maximum | Vpmax | 1,400 ± 200 mV | | | 4.2 |
| Dark output uniformity | Ud | Less than Vpmax/5 | | | 4.3 |
| White output uniformity | UEp | Less than 65% | | | 4.4 |
| MTF | | 45% MIN | 55% MIN | 40% MIN | 4.5 71.37 lppi |
| Linearity | Gamma | 1.05 ± 0.05 | | | |
| Linearity Uniformity | LU | Less than 6 % | | | 4.6 |

In Black and White Mode

| Item | Symbol | Specification | | | Note |
|-------------------------|--------|-------------------|-------|------|-----------------|
| | | Red | Green | Blue | |
| DC supply voltage | VDD | +5.0V | | | Detector, Logic |
| LED supply voltage | VLED | <3.0V | 0V | 0V | |
| LED supply current | ILED | 60mA | 0mA | 0mA | |
| White image target | | 0.05 ~ 0.09 OD | | | |
| Timing chart | | Figure 11 | | | |
| Dark output minimum | Vdmin | 2,000± 100 mV | | | 4.1 |
| White output maximum | Vpmax | 1,400 ± 200 mV | | | 4.2 |
| Dark output uniformity | Ud | Less than Vpmax/5 | | | 4.3 |
| White output uniformity | UEp | Less than 65% | | | 4.4 |
| MTF | | 45% MIN | | | 4.5 71.73lppi |

The output level of image signal like white and dark and MTF is defined at the point of “ts2” which described in section 6.

A test target is set on the reading position as outlined in Figure 1.

4.1 Vdmin

As shown in Figure 2, Vdmin is the minimum in the dark output signal (turning off the LED).

Every other parameters are defined by Vdmin as a reference.

4.2 Vpmax

As shown in Figure 2, Vpmax is the maximum white output signal and is defined by:

$$Vpmax = MAX[Vp(n)]$$

Vp(n) is the output signal of the n-th pixel using a white image target.

4.3 Ud

As shown in Figure 2, Ud is the output signal in the dark (turning off the LED) and is defined by;

$$Ud = Vdmax - Vdmin$$

Vdmax is the maximum output signal of the nth pixel in the dark

Vdmin is the minimum output signal of the nth pixel in the dark

4.4 UEp

UEp is the white output non-uniformity with dark signal subtracted and is defined by:

$$UEp = ((VEpmax - VEpmi) / (VEpmax)) \times 100\%$$

VEpmax = MAX[VEp(n)]; is the maximum effective output signal

VEpmi = MIN[VEp(n)]; is the minimum effective output signal

VEp(n) is the effective output signal of every pixel and is defined by:

$$VEp(n) = Vp(n) - Vd(n)$$

4.5 MTF

MTF is defined by:

$$MTF = MIN\{ [(Vmax-Vmin) / VE_p] \} \times 100\%$$

Vmax is the maximum output signal using the MTF image target

Vmin is the minimum output signal using the MTF image target

VEp is the effective output signal .

4.6 Linearity Uniformity

LUg is measured following procedure and defined;

Step1. Test Target

The white image target is used as a test target. This target must not be moved while this test is being operated.

Step2. LED adjustment

Tred, Tgrn, Tblu should be adjusted according to Figure 8 procedure.

Step3. Dark and White correction

Dark and White correction must be done for every each pixel.

Step4. LED on time set

Tred, Tgrn and Tblu should be changed as following;

Tred/2, Tgrn/2, Tblu/2

Step5. Compute LUg

LUg should be computed for each color as;

$$LUg = \frac{1}{2} D_{gave} - D_{gextm} \frac{1}{2}$$

Dgave is the average of Vg(n). Vg(n) should be got more than 8 times sampling.

Step6. LED on time set

Tred, Tgrn and Tblu should be changed as followed and compute LUg regarding to Step5;

Tred/4, Tgrn/4, Tblu/4

Step7. LED on time set

Tred, Tgrn and Tblu should be changed as followed and compute LUg regarding to Step5;

Tred/8, Tgrn/8, Tblu/8

4.7 Correction of Dark and White uniformity

For the best performance two points correction (dark and white) is strongly recommended.

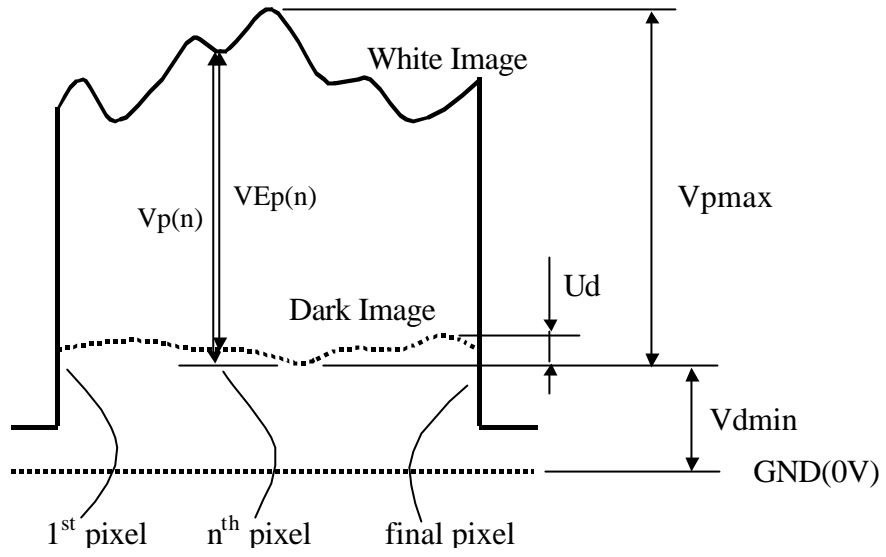


Figure 2. Output Signals Waveform

5. Maximum Rating

| Item | Symbol | Specification | Note |
|-------------------------------|--------|--------------------|-------------------------------|
| DC supply voltage | VDD | +5V ± 0.25V | |
| Input voltage | VIN | 0 ~ VDD+0.3V | SI, CLK |
| Ambient temperature | Ta | 0 ~ +50 °C | Operating |
| | | -20~ +60 °C | Non-operating |
| Ambient humidity | | 10 ~ 90%RH | Avoid a build up condensation |
| Maximum operating Temperature | | 65 °C 30minuts MAX | |

LED

| Parameter | Symbol | Red | Green | Blue | Notes |
|-----------------------|--------|-------|-------|-------|-------|
| DC Forward Current | IF | 60 mA | 60 mA | 60 mA | |
| Pulse Forward Current | IFP | 60 mA | 60 mA | 60 mA | |
| DC Reverse Voltage | VR | 5 V | 5V | 5V | |

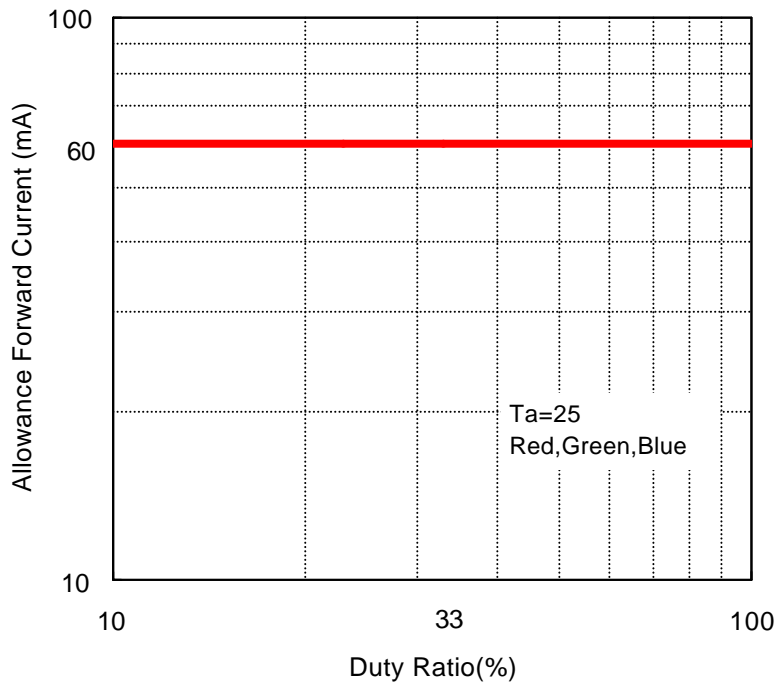
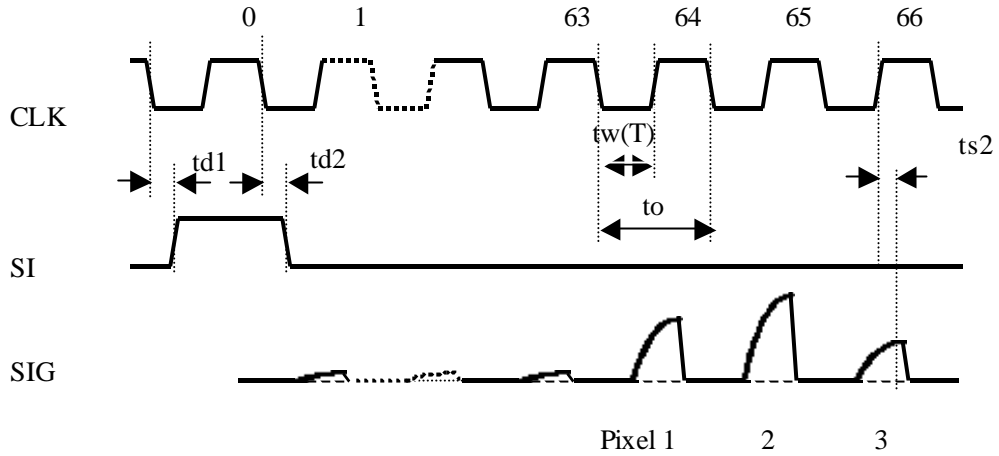


Figure 3. Duty Ratio vs Allowable Forward Current

6. Electrical Characteristics (Ta = 25 °C)

| Item | Symbol | Condition | Specification | | | Unit |
|----------------------------|---------------------|---------------------|---------------|------|-------|------|
| | | | Min. | Typ. | Max. | |
| DC Supply Voltage | VDD | GND reference | 4.75 | 5.0 | 5.25 | V |
| DC Supply Current | IDD | VDD = 5V | | 35 | 80 | mA |
| LED Forward Voltage | V _{Fred} | IF=30mA | 2.1 | 2.3 | 2.5 | V |
| | | IF=40mA | 2.1 | 2.4 | 2.6 | V |
| | | IF=60mA | 2.3 | 2.5 | 2.7 | V |
| | V _{Fgreen} | IF=30mA | 3.3 | 3.6 | 4.0 | V |
| | | IF=40mA | 3.4 | 3.8 | 4.1 | V |
| | | IF=60mA | 3.6 | 4.0 | 4.4 | V |
| | V _{Fblue} | IF=30mA | 3.3 | 3.7 | 4.1 | V |
| | | IF=40mA | 3.4 | 3.8 | 4.2 | V |
| | | IF=60mA | 3.6 | 4.0 | 4.3 | V |
| Input voltage (Note 1) | V _{IH} | SI,CLK | 3.7 | | | V |
| | V _{IL} | | | | 1.5 | V |
| Input Current (Note 1) | I _{IH} | SI,CLK | | | ± 0.1 | μA |
| | I _{IL} | | | | ± 4.0 | μA |
| Clock frequency | f | CLK | 3.9 | 4.0 | 4.1 | MHz |
| Clock pulse Duty | | tw(T)/to; to=1/f | 48 | 50 | 52 | % |
| SI delay time | td1 | SI-CLK | 30 | 40 | to/2 | ns |
| | td2 | SI-CLK | 30 | 40 | to/2 | ns |
| Data output stability time | ts2 | CLK-SIG | 20 | 30 | 40 | ns |

(Note1) 74HC244 or equivalent is recommended for input signal.



The each pixel's reset time or the blank time should not be used as the reference level.

Figure 4. Timing Diagram

7. Reliability

The following table satisfies the reliability when the CIS is operated continuously under standard operating conditions as specified in section 4.

| Item | Variable Amount (%) | Note |
|--------------|-------------------------|--------|
| Color output | Initial level +10% -20% | 1000Hr |
| | Initial level +10% -30% | 5000Hr |

8. Precautions before use:**8.1 Glass surface**

The Glass surface should be kept clean. Don't wipe the glass surface with hand. Don't use the CIS module in a dust-polluted environment. If the glass surface gets dirty, wipe the glass surface gently with a clean cloth soaked in alcohol. The glass surface should be wiped very carefully.

8.2 Extracting / Inserting the connector

The maximum number of times that the connector should be extracted and connected is 10. If the connector is inserted / extracted more than 10 times, the connector 'burrs' will be eroded, thereby making the connector ineffective.

8.3 Stable operation

(1) The connector pins should not be touched by bare hand or electrostatic charged materials.

(2) Noise

- a. Insert a low frequency noise suppressing capacitor (100uF) between VDD(+5V) and GND. A high frequency noise suppressing capacitor is already integrated into the circuit.
- b. Ensure that the sensor connecting cables are 30cm or less in length. The CLK and GND, SIG and GND and VLED and GLED respectively from form twisted cable pairs.

(3) Latch up

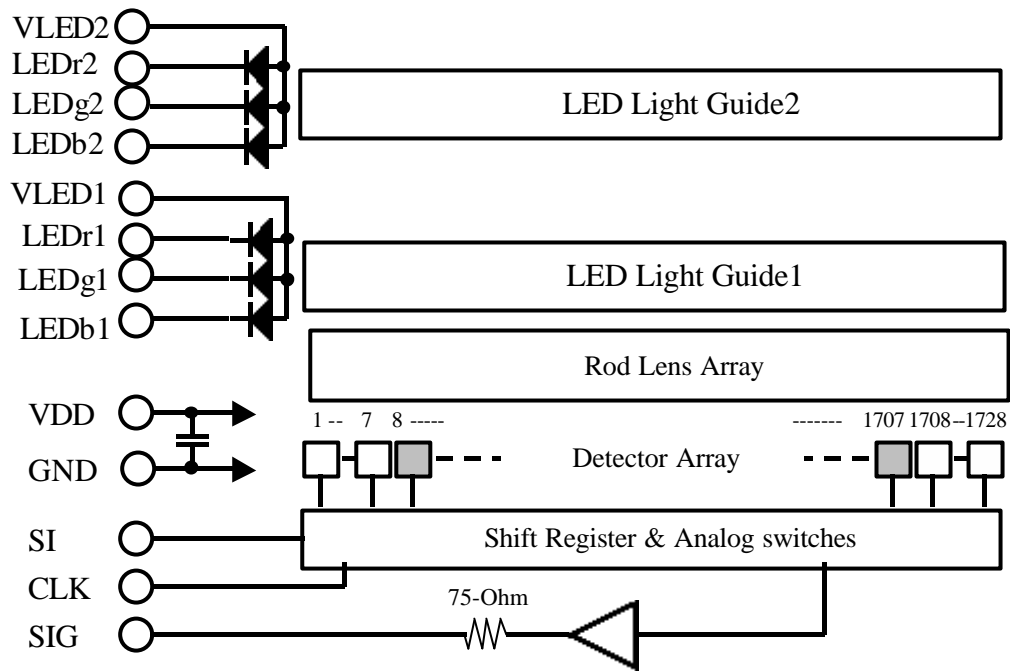
When the supply voltage is higher than the absolute maximum, latch up will cause the sensor to break, even if the voltage is caused by a surge. If the current varies rapidly in the external circuit, or when the power is turned on an off very frequently, ensure that the voltage of each terminal does not exceed the values indicated in below.

(4) LED circuit

As shown in Figure.6 LED circuit has not any resistance. Be careful not to connect the LED circuit to power supply directly without current limit resistors.

(5) Absolute maximum ratings

| Item | Symbol | Condition | Specification | | Unit |
|----------------|--------|---------------|---------------|---------|------|
| | | | Min | Max | |
| Supply Voltage | VDD | GND reference | -0.3 | +6.5 | V |
| Input voltage | Vin | SI,CLK | GND-0.3 | VDD+0.3 | V |



The outputs from 8th to 1707th elements are effective image signal.

Figure 5. Block Diagram

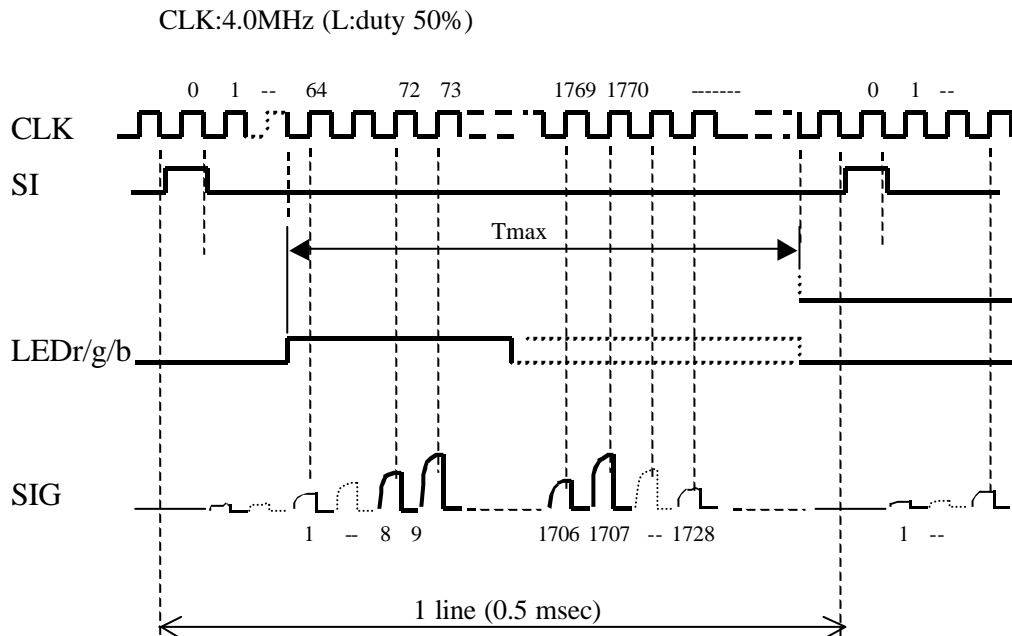


Figure 6. Timing Diagram (This is the SHEC shipping test condition.)

After 1728th SIG, there are 24bits dummy output.

Color Mode

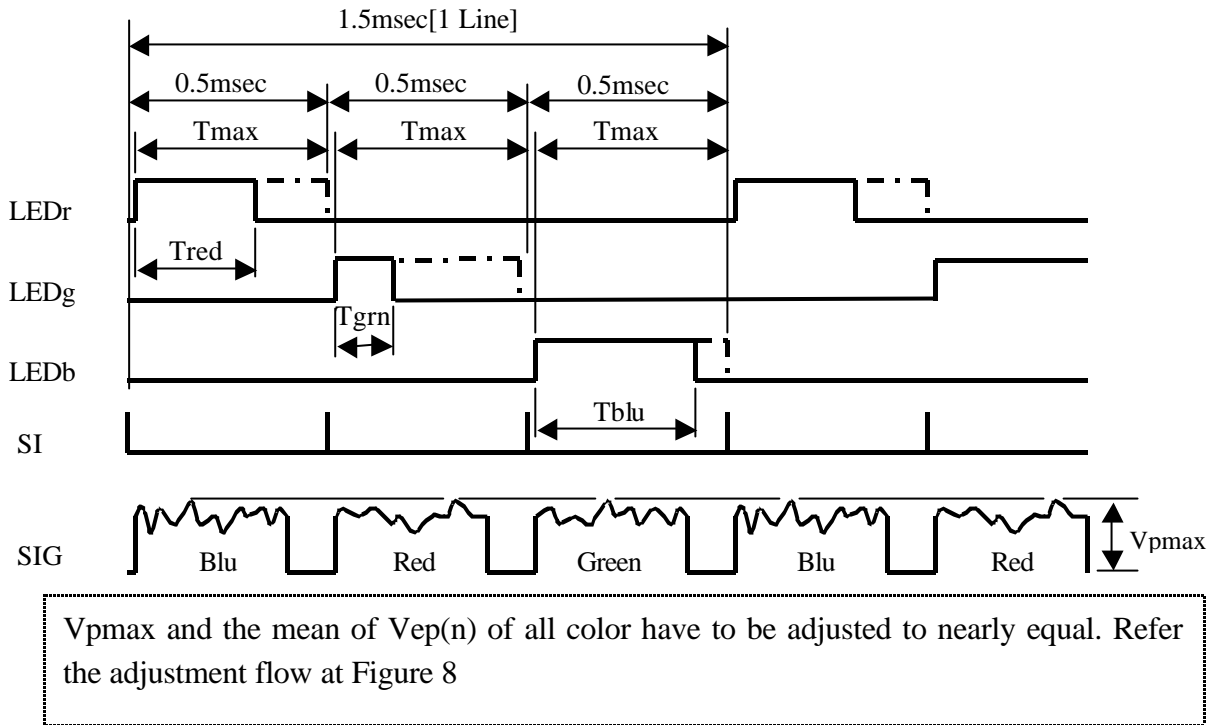


Figure 7. Color Mode Timing Diagram (This is the SHEC shipping test condition)

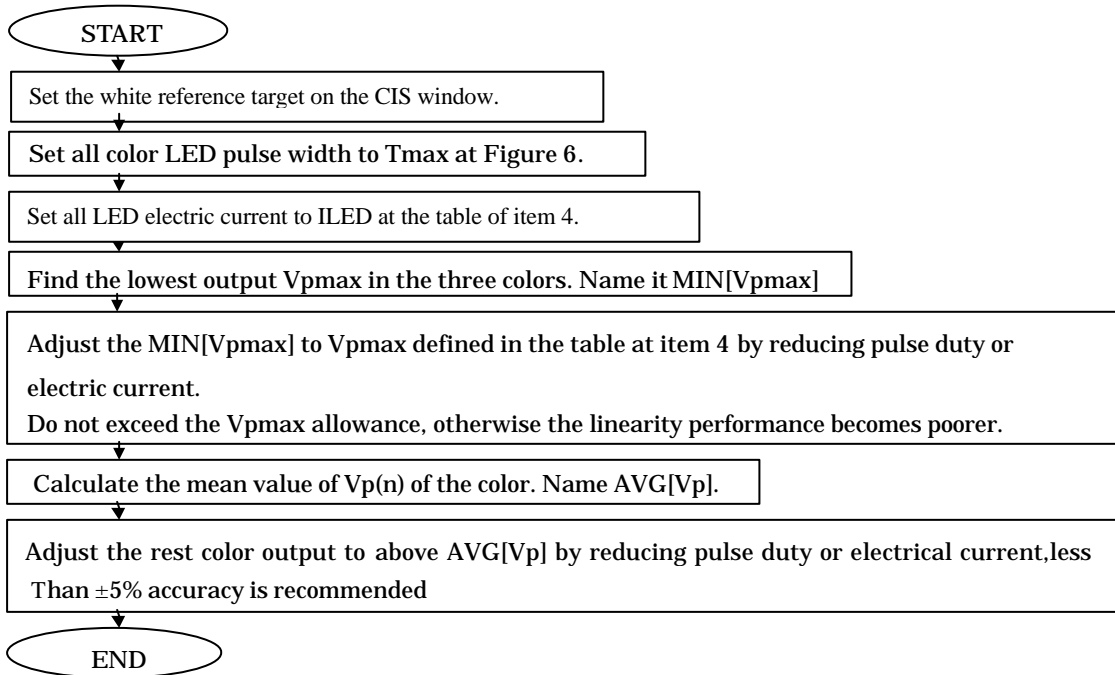


Figure 8. Flow Chart of Color mode Adjustment (This is the SHEC shipping test condition)

B&W Mode

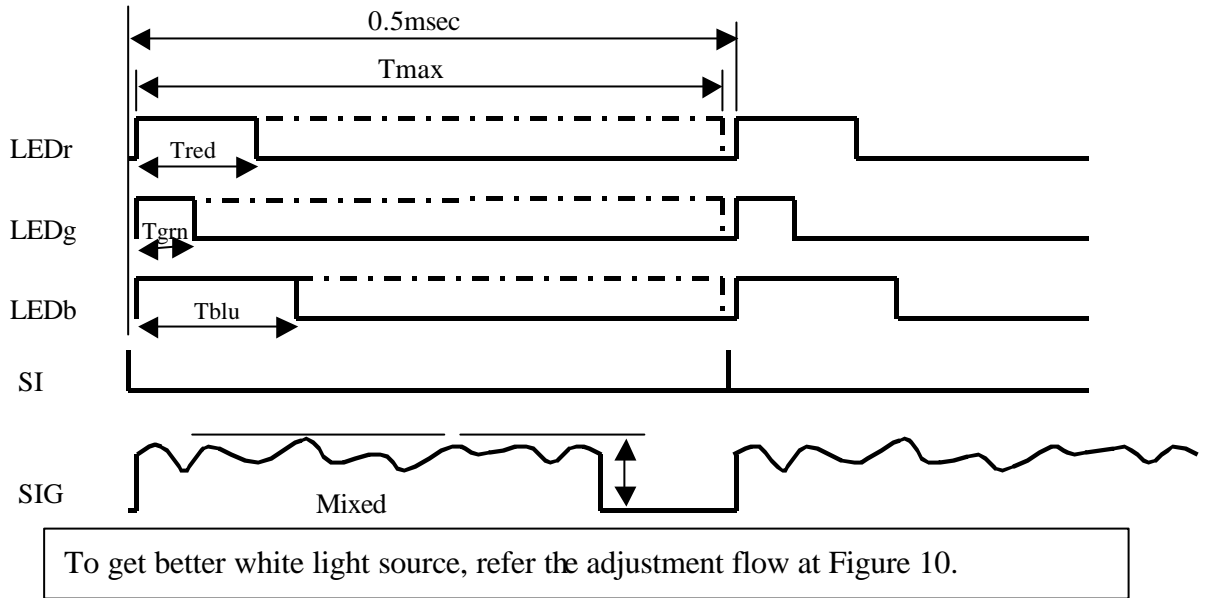


Figure 9. B&W mode with Mixed Light Source Timing Diagram

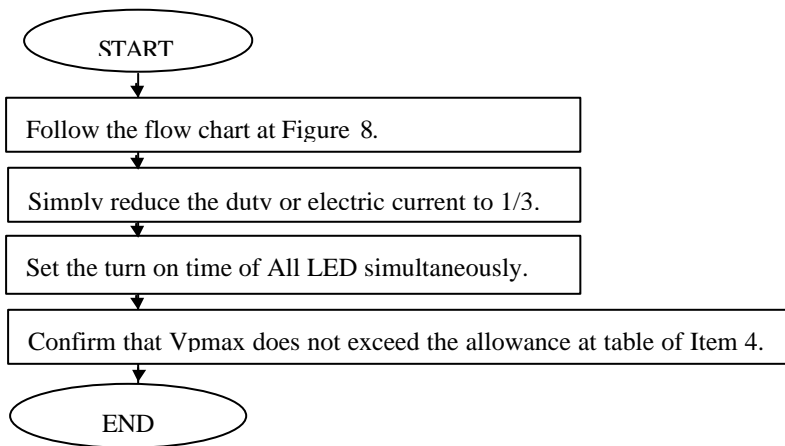
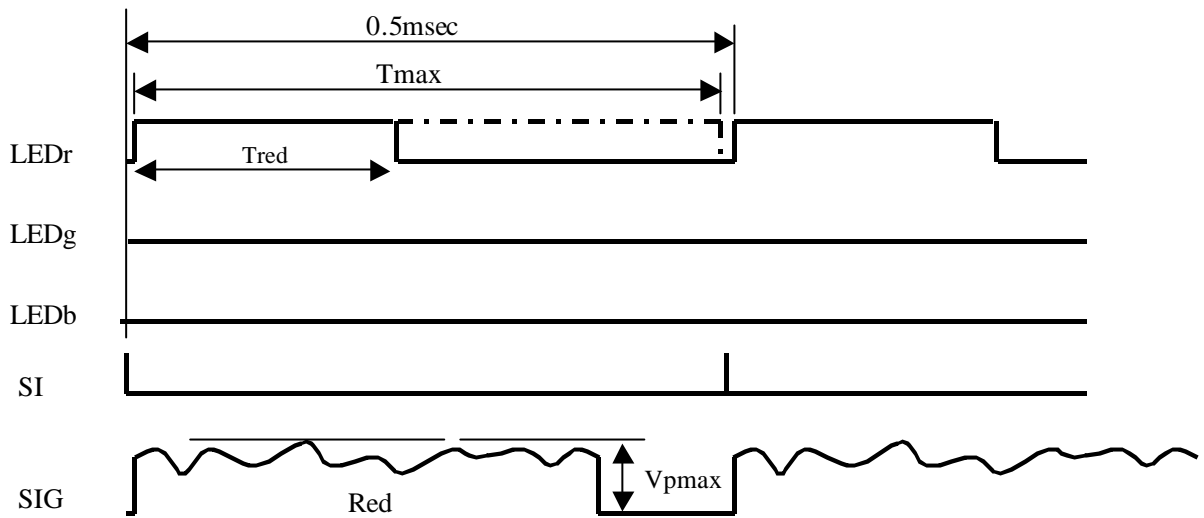


Figure 10. Flow Chart of B&W mode with Mixed Light Source Adjustment

□ **B&W Mode with Mono-Color Light Source**



This is the example for Red mono-color application. Refer the adjustment flow chart at Figure 12.

Figure 11. B&W mode with Mono-Color Light Source Timing Diagram

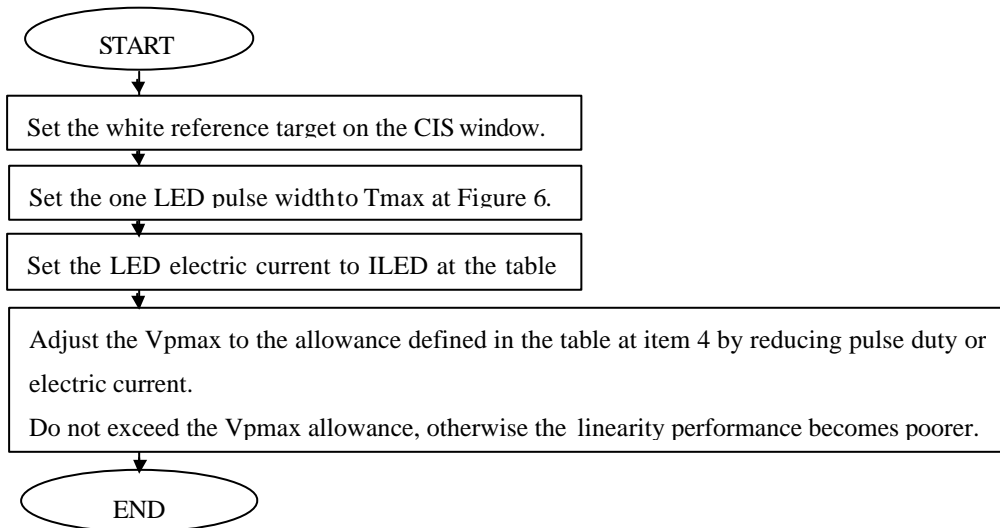


Figure 12. Flow chart for Mono-Color Adjustment

Figure 9. Typical Performance Curve
Unless otherwise specified, Ta=25°C

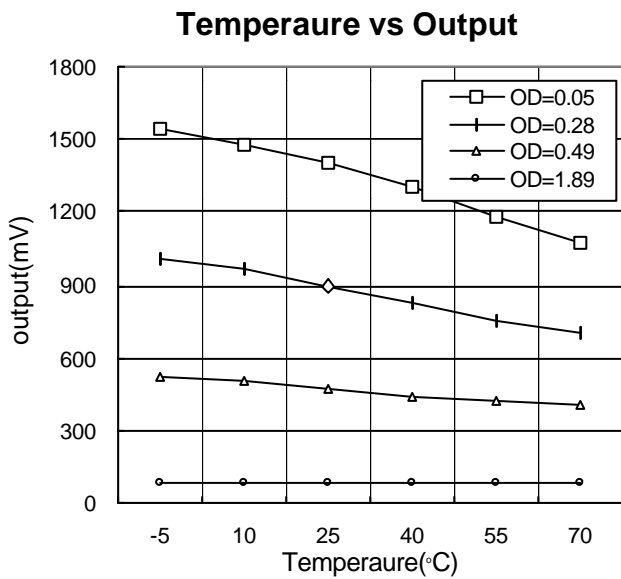
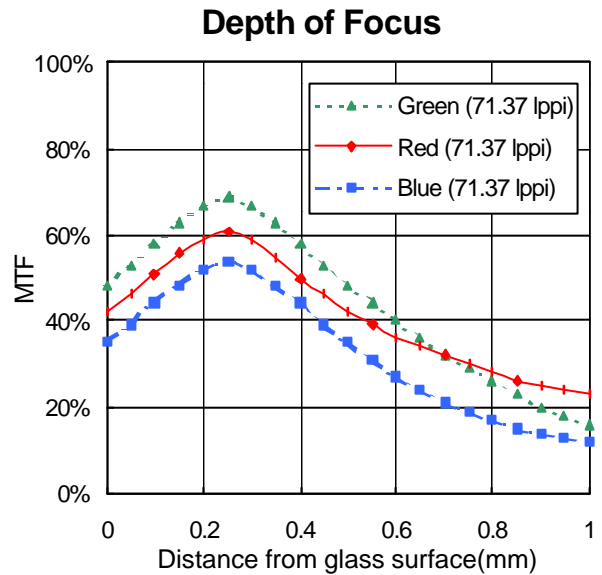
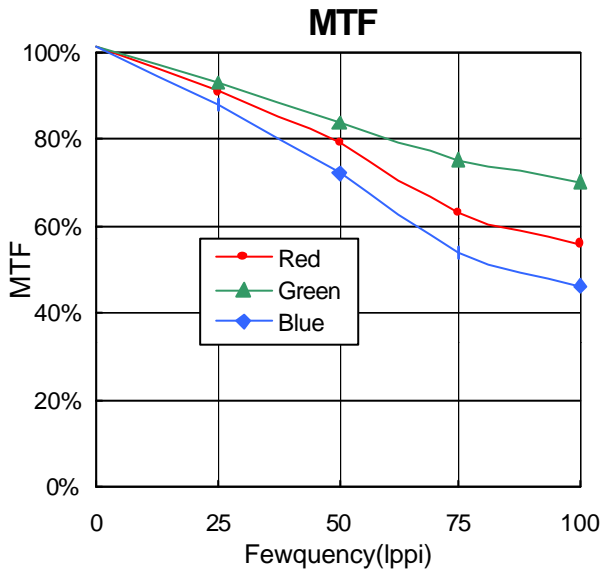
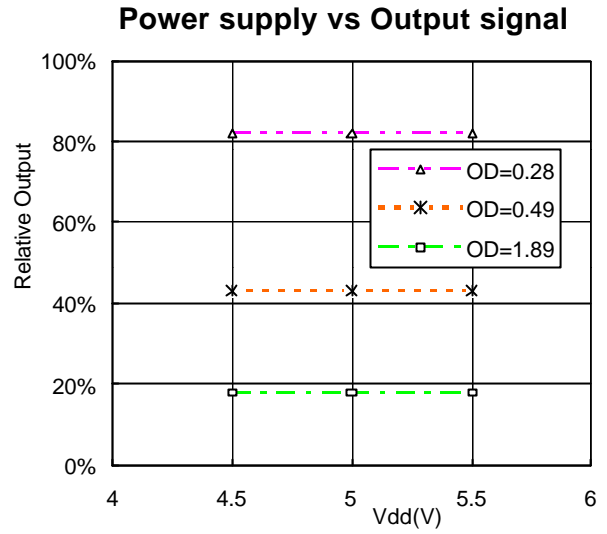
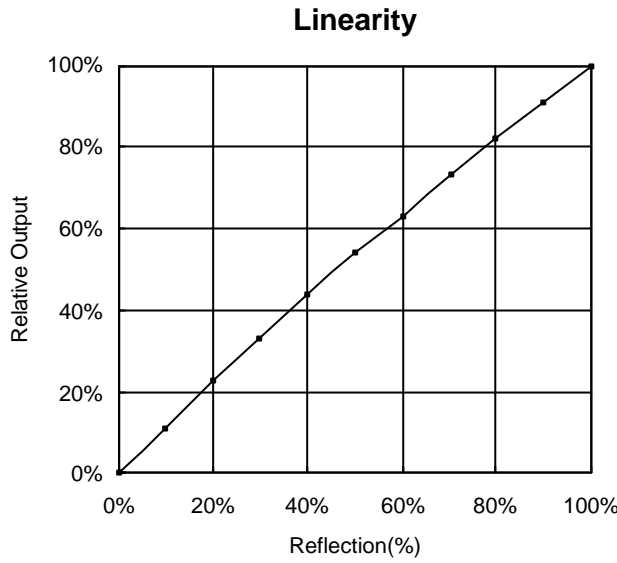
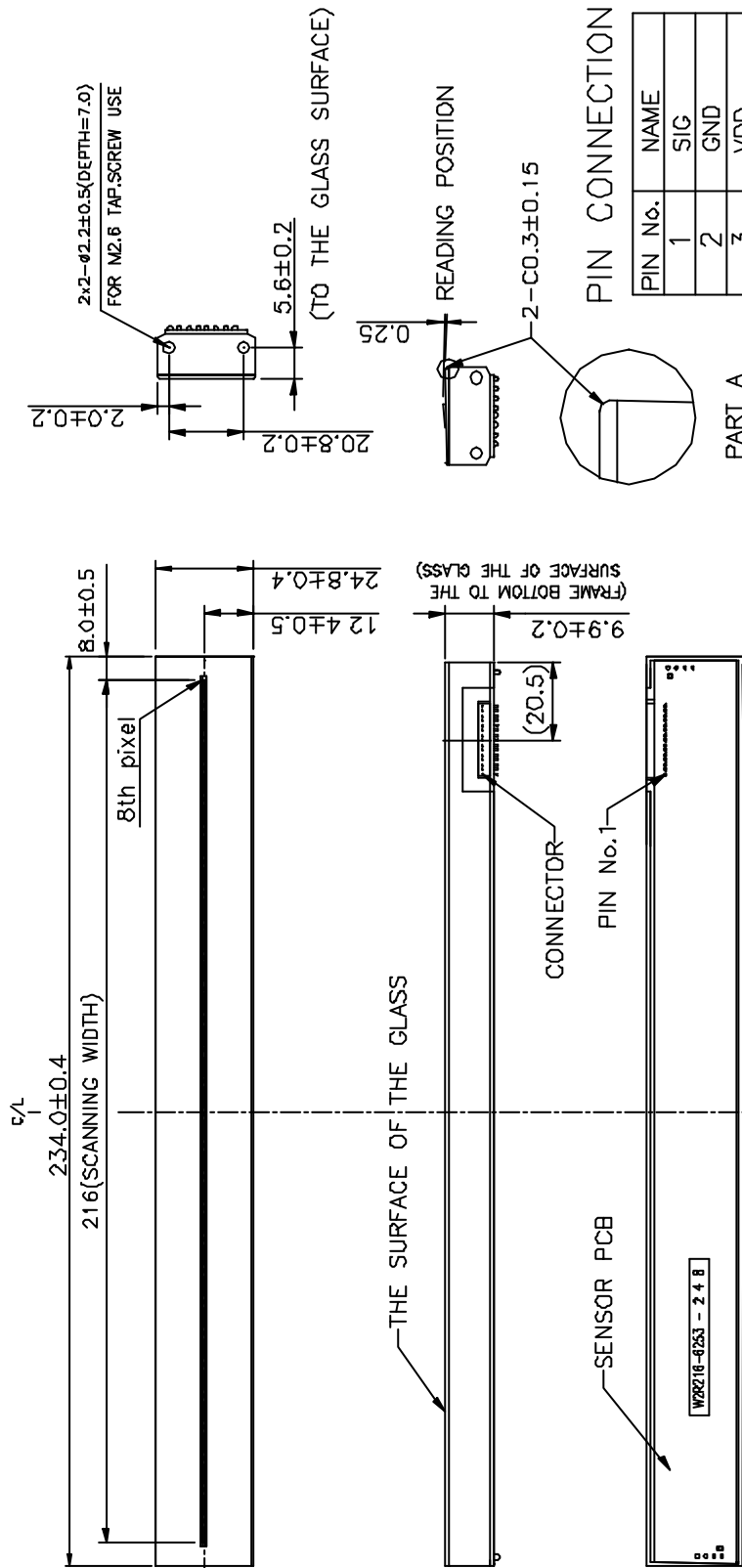


Figure. 1 Dimensions



NOTE:

- 1.CONNECTOR:IL-Z-15P-S125L3-E(JAE) / GT120-15P-LS(LG)
- 2.CIS TYPE AND LOT NUMBER ARE PRINTED ON THE BOTTOM OF THE SENSOR FRAME.

| | | | | | | | | | | | |
|------|----|----|----|----|----|----|----|----|----|----|----|
| date | 10 | 11 | 12 | 13 | 14 | 15 | 16 | 17 | 18 | 19 | 20 |
| | A | B | D | E | F | H | J | K | L | M | N |
| date | 21 | 22 | 23 | 24 | 25 | 26 | 27 | 28 | 29 | 30 | 31 |
| | O | P | R | S | T | U | V | W | X | Y | Z |

W2R216-6253-2 4 8
(CIS TYPE)(2002)(Apr)(8)

- 3.WHEN ATTACHING THE HOLDERS TO THE CIS, USE M2.5(M2.6) TAPPING SCREWS.
- 4.COVER-GLASS SHOULD NOT PROTRUDE FROM BOTH SIDE EDGE OF FRAME.

Mass Production Sample
OUTLINE : Additional Page